

Technical Specifications

LX SERIES SPRAYS

FEATURES

- Five year warranty
- Pressure-activated wiper seal for reliability
- Easy grip threaded cover
- Stainless steel retract spring
- High-strength ribbed design

QUICK INSTALLATION

- T-Plug Flush Cap on every head
- Side and bottom inlets on LX6 and LX12*
- Ratchet nozzle alignment

* Side inlet installation on LX6 and LX12 is not recommended in freezing climates.

NOZZLES

- Completely compatible with all industry-standard female thread nozzles
- LX MPR nozzles
- LX Adjustable Arc nozzles
- B Series brass nozzles

OPERATING DATA

- Pressure range: 15 to 70 psi (1,0 to 4,8 bars)
- Flow-by: Zero at 5 psi (0,3 bars) or greater
- Factory installed check valve: 9.5 ft/hd at 18 psi (2.9 m/hd at 1,2 bar). Specify: LX4-CV, LX6-CV, or LX12-CV



MODEL	POP-UP HEIGHT	BODY HEIGHT
LX3	3 in (7,6 cm)	5-1/4 in (13,3 cm)
LX4 & LX4-CV	4 in (10 cm)	6-14/ in (15,9 cm)
LX6 & LX6-CV	6 in (15 cm)	8-1/2 in (21,6 cm)
LX12 & LX12-CV	12 in (30 cm)	15-1/4 in (38,7 cm)
LX-NP	Snap On Cover	
LX-EXT	6" Riser Extension	
Exposed Cover		2-1/4 in (5,7 cm)



Technical Specifications

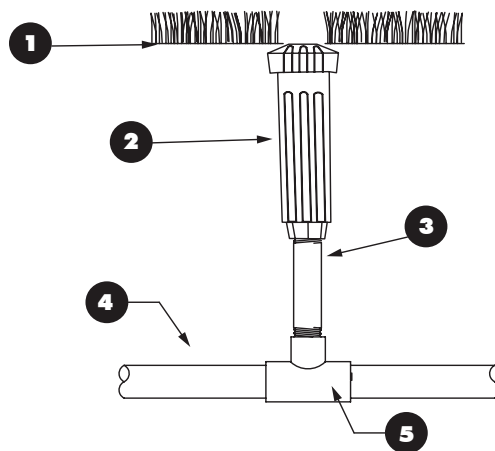
LX4 SPRAYHEAD

LAWN SPRAY HEAD shall be a LX4 (Options: -CV and/or -NP) as manufactured by Weathermatic Sprinkler Division of Telsco Industries, or approved equal. Heads shall pop up not less than 4 inches with spring retraction. Heads shall accept a plastic matched precipitation rate nozzle, a fixed arc milled brass nozzle, or an adjustable plastic nozzle. Heads shall have ratcheted flow tube for arc location purposes and shall be check valve adaptable.

CONSTRUCTION: Body, cover and flow tube shall be high-impact ABS. A stainless steel spring shall provide retraction force. Outside entry of sand and dirt shall be prevented with a pressure-activated wiper seal that provides for zero flow by at 5 psi or greater. Arc location shall be by means of a positive stop-ratcheting device permitting the arc to be located by depressing flow tube while sprinkler is in operation. (Option: The sprinkler shall be equipped with factory installed check valve and shall hold back 9.5 ft./hd. with a minimum pop up and seal pressure of 18 psi and/or a model LX-NP purple, snap-on non-potable alert ring shall be provided on all installations requiring the use of non-potable water supplies.

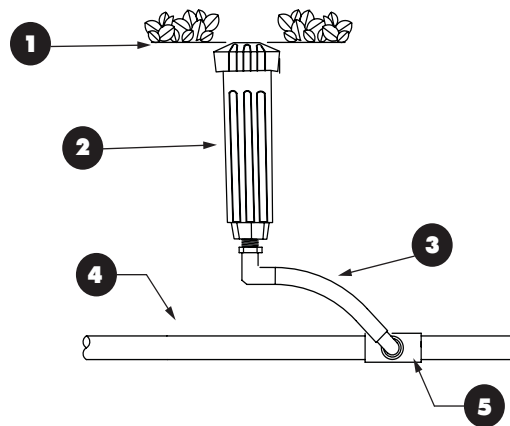
OPERATION: The nozzles shall either provide adjustable flows and areas of coverage at rated pressure requirements in both full-circle and part-circle types or shall be fixed arc in both full and part circle types. All nozzles series must have matched precipitation to the extent that full and part circle nozzles can be valved together.

WARRANTY: The LX spray head shall have a manufacturer's limited warranty of not less than five (5) years.



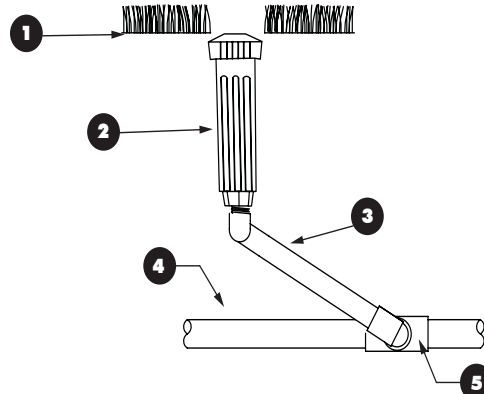
LX4 SPRAY HEAD

1. FINISHED GRADE
2. WEATHERMATIC LX4 SPRAY HEAD
3. POLYETHYLENE NIPPLE
4. LATERAL
5. TEE



LX4 SPRAY HEAD WITH FLEXIBLE PIPE AND FITTINGS

1. FINISHED GRADE
2. WEATHERMATIC LX4 SPRAY HEAD
3. SPSA-125050-3L ASSEMBLY
4. LATERAL
5. TEE



LX4 SPRAY HEAD WITH SWING JOINT

1. FINISHED GRADE
2. WEATHERMATIC LX4 SPRAY HEAD
3. SWING JOINT ASSEMBLY AS PER SPECIFICATIONS
4. LATERAL
5. TEE

